

OUR WINDOWS AND DOORS

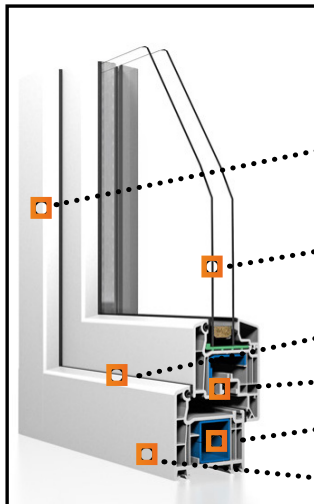


SIZES AVAILABLE	
Height	Width
1m	1m
1m	2m
1,5m	1,5m
2m	2m



SIZES AVAILABLE	
Height	Width
2,1m	0,9m

POSSIBLE OPTIONS	
<ul style="list-style-type: none"> • Crash bars, • In aluminium or windowed, • Other colours: anthracite grey RAL 7016 (contact us). 	



COMPONANTS
5-compartment-profile system 73 mm construction depth
Double glazing 4 x 16 x 4 mm insulated with argon gas
Rubber seals
Dry room
Solid steel in the frame
PVC frame in standard white

Side-hung window



Opening system



Tilt and turn window

AVAILABLE OPTIONS

ELECTRIC ROLLER SHUTTERS

(to install above the window)



OTHER OPTIONS

(contact us)

- Non-standard window dimensions,
- Other colours than white,
- Aluminium covering the steel frame,
- Type of glass (anti-break-in, etc.),
- Opening style (sliding, etc.).